

DOOR STYLE:

INFITTING W/ FRAME

DOOR FRAME TYPE:

FOUR SIDED FLAT FRAME FOUR SIDED FLAT FRAME W/ THRU WALL
MIRROR IMAGE THREE SIDED FRAME

OPENING SIZE:

FINISHED OPENING WIDTH (W.I.C.):
FINISHED OPENING HEIGHT (H.I.C.): WALL THICKNESS:

STATIONARY DOOR LOCATIONS:

ON LEFT ON RIGHT (STD)

APPLICATION:

COOLER FREEZER 4" THICK 6" THICK
(FREEZER DOORS COME STANDARD WITH HEATED FRAME AND BOTTOM BAR HEAT)

ENTER ROOM TEMPERATURES:

TEMPERATURE WALL SIDE: F (PLEASE PROVIDE)
TEMPERATURE HINGE SIDE: F (PLEASE PROVIDE)

CLADDING - HINGE SIDE:

EMBOSSSED WHITE GALVANIZED.	SMOOTH WHITE GALVANIZED
EMBOSSSED BLACK GALVANIZED	SMOOTH GALVALUME
EMBOSSSED GALVALUME	SMOOTH WHITE ALUMINUM
EMBOSSSED WHITE ALUMINUM	STAINLESS STEEL, #4 FINISH
EMBOSSSED MILL ALUMINUM	
CUSTOM	

CLADDING - WALL SIDE:

EMBOSSSED WHITE GALVANIZED.	SMOOTH WHITE GALVANIZED
EMBOSSSED BLACK GALVANIZED	SMOOTH GALVALUME
EMBOSSSED GALVALUME	SMOOTH WHITE ALUMINUM
EMBOSSSED WHITE ALUMINUM	STAINLESS STEEL, #4 FINISH
EMBOSSSED MILL ALUMINUM	
CUSTOM	

LATCH:

STANDARD W/ KEY LOCK (ALSO ACCEPTS PADLOCK)
STAINLESS
STAINLESS W/ KEY LOCK

STANDARD INSIDE RELEASE RECESSED INSIDE RELEASE

PUSH BAR WITH LATCH PANIC WITHOUT LATCH

HINGES:

1245 STANDARD	KASONIZED STRAP HINGES
STAINLESS STEEL HINGES	FURNISH EXTRA HINGE
CUSTOM:	

DOOR CLOSER:

NONE (STD)	SPRING HINGE
OFFSET, STANDARD DUTY	HEAVY DUTY

VISION WINDOW:

HEATED	NON-HEATED	14" x 14"	14" x 24"
--------	------------	-----------	-----------

KICK PLATE - HINGE SIDE:

1/16" DIAMOND PLATE	1/8" DIAMOND PLATE	STAINLESS STEEL
12" TALL	24" TALL	36" TALL 48" TALL Other:

KICK PLATE - WALL SIDE:

1/16" DIAMOND PLATE	1/8" DIAMOND PLATE	STAINLESS STEEL
12" TALL	24" TALL	36" TALL 48" TALL Other:

THRESHOLD:

HEATED	NON-HEATED
6 3/4" ALUMINUM	6 3/4" STAINLESS STEEL
9 1/2" ALUMINUM	9 1/2" STAINLESS STEEL

ADDITIONAL OPTIONS:

JAMB WALL CAPS	JAMB WALL CAPS WITH INSERTS
OUTER WIDTH:	OUTER HEIGHT: INSET:
METAL WRAPPED FRP FRAME	
METAL WRAPPED THRU WALL FRAME	
METAL WRAPPED MIRROR IMAGE FRAME	
HEAT IN DOOR PANEL (RECOMMENDED FOR FREEZERS COLDER THAN -20 DEG. F.)	
LIGHT SWITCH	
THERMOMETER	

CUT DOWN:

LEFT JAMB	RIGHT JAMB	HEADER	FOOTER
-----------	------------	--------	--------

SPECIAL INSTRUCTIONS TO MANUFACTURER:

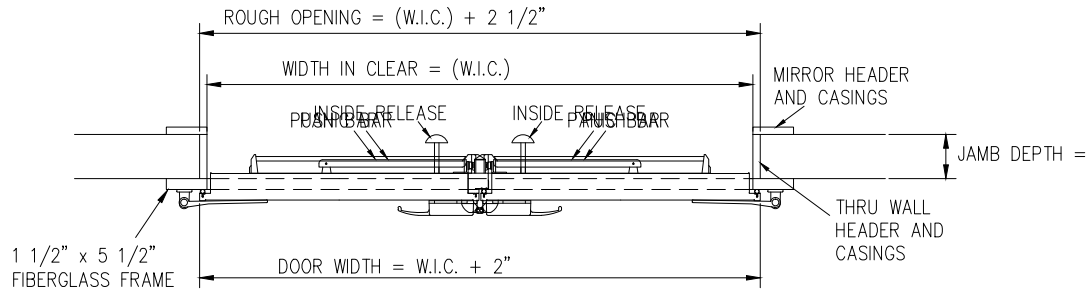


Chase Doors

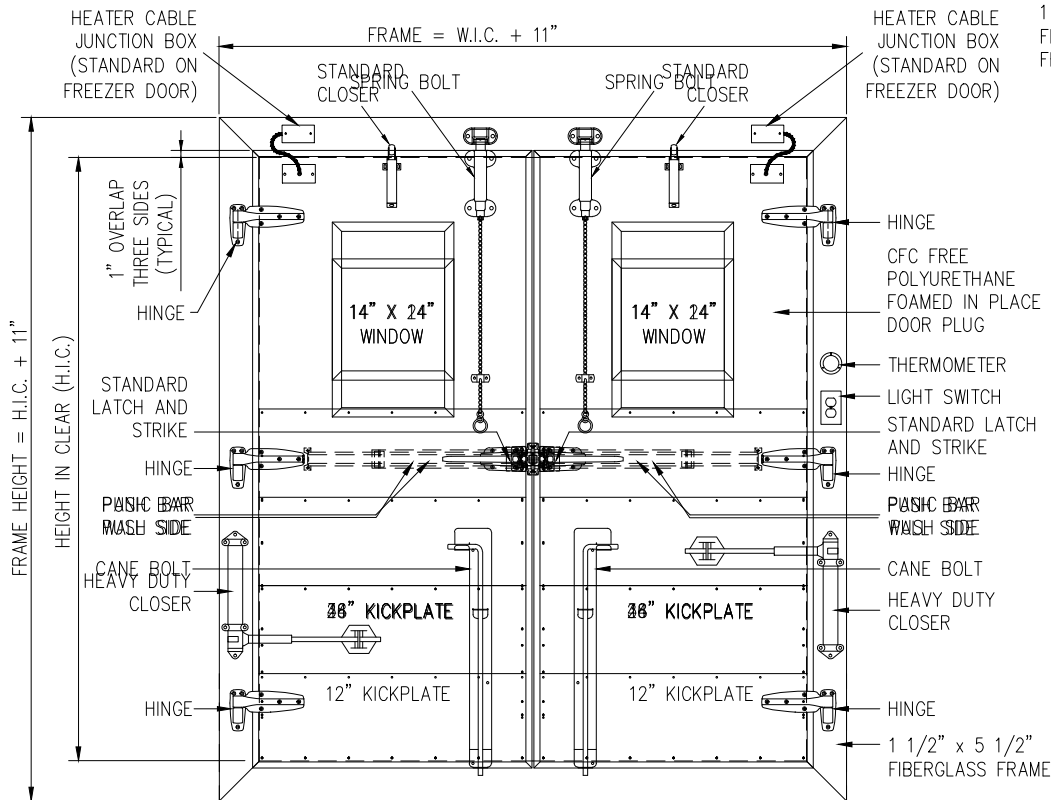
Tel: (800) 543-4455 FAX: (800) 978-6570
www.coldstoragedoorsonline.com

JOB	CUSTOMER NO:	NO. PRINTS	FOR	DATE	REVISED
	CHASE ORDER NO:				
SOLD TO	DRAWN BY:				
	SHEET OF				

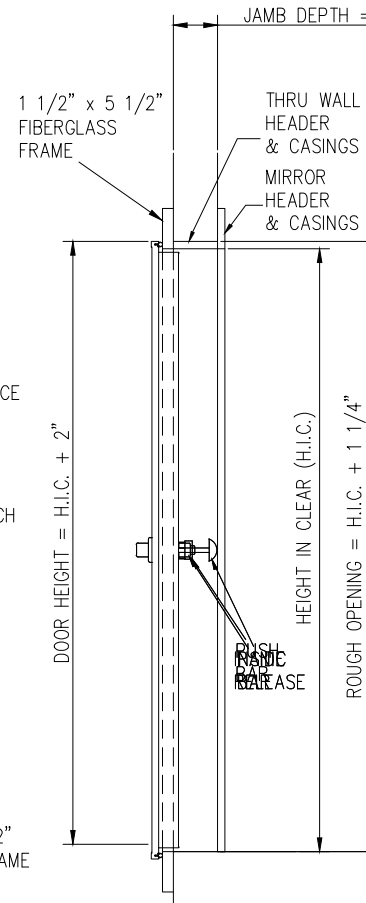
INFITTING DOUBLE SWING DOOR, FOUR SIDED FRAME



HORIZONTAL SECTION



FRONT ELEVATION



SIDE VIEW SECTION



Chase Doors

Tel: (800) 543-4455

FAX: (800) 978-6570

www.coldstoragedoorsonline.com

JOB

SOLD TO

CUSTOMER NO:

CHASE ORDER NO:

DRAWN BY:

SHEET OF

NO. PRINTS

FOR

DATE

REVISED