

**TYPE & THICKNESS OF DOOR:**

COOLER FREEZER 4" THICK 6" THICK

**OPENING SIZE:**

FINISHED OPENING WIDTH (W.I.C.):  
FINISHED OPENING HEIGHT (H.I.C.): WALL THICKNESS:

**ENTER ROOM TEMPERATURES:**

TEMPERATURE WALL SIDE: F (PLEASE PROVIDE)  
TEMPERATURE TRACK SIDE: F (PLEASE PROVIDE)

**CLADDING - TRACK SIDE:**

EMBOSSSED WHITE GALVANIZED.	SMOOTH WHITE GALVANIZED
EMBOSSSED BLACK GALVANIZED	SMOOTH GALVALUME
EMBOSSSED GALVALUME	SMOOTH WHITE ALUMINUM
EMBOSSSED WHITE ALUMINUM	STAINLESS STEEL, #4 FINISH
EMBOSSSED MILL ALUMINUM	
CUSTOM	

**CLADDING - WALL SIDE:**

EMBOSSSED WHITE GALVANIZED.	SMOOTH WHITE GALVANIZED
EMBOSSSED BLACK GALVANIZED	SMOOTH GALVALUME
EMBOSSSED GALVALUME	SMOOTH WHITE ALUMINUM
EMBOSSSED WHITE ALUMINUM	STAINLESS STEEL, #4 FINISH
EMBOSSSED MILL ALUMINUM	
CUSTOM	

**VISION WINDOW:**

HEATED NON-HEATED 14" x 14" 14" x 24"

**KICK PLATE - TRACK SIDE:**

1/16" DIAMOND PLATE	1/8" DIAMOND PLATE	STAINLESS STEEL
12" TALL	24" TALL	36" TALL 48" TALL Other:

**KICK PLATE - WALL SIDE:**

1/16" DIAMOND PLATE	1/8" DIAMOND PLATE	STAINLESS STEEL
12" TALL	24" TALL	36" TALL 48" TALL Other:

**CASINGS AND HEADER:**

**TRACK SIDE:**

MOLDED PLASTIC POLYMER (MPP) METAL CLAD MPP

**MIRROR SIDE:**

MOLDED PLASTIC POLYMER (MPP) METAL CLAD MPP

**THRU WALL:**

MOLDED PLASTIC POLYMER (MPP) METAL CLAD MPP

**COUNTER BALANCE SYSTEM:**

WEIGHTS  
TORSION SPRINGS

**LOCKING:**

LOCK TRACK SIDE  
LOCK TRACK SIDE, CYLINDER OPPOSITE, T-HANDLE BOTH SIDES,

**ADDITIONAL OPTIONS:**

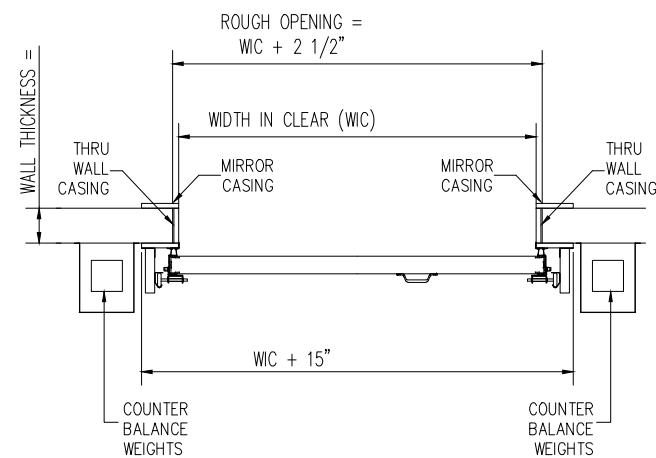
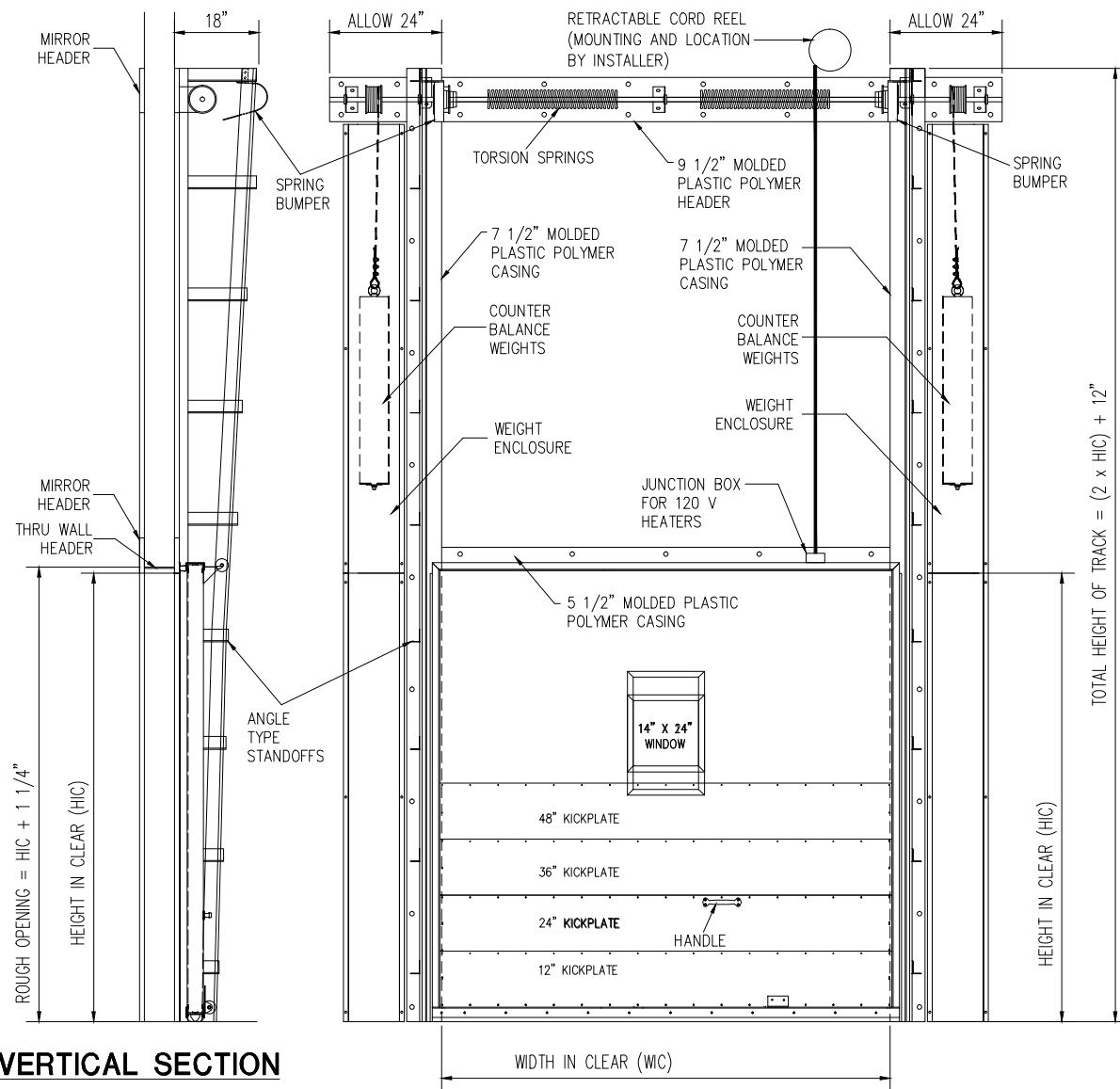
CHAIN HOIST	
ELEVATED COOLER/FREEZER FLOOR	FLOOR THICKNESS:
JAMB WALL CAPS, NO INSERTS	JAMB WALL CAPS WITH INSERTS
OUTER WIDTH:	OUTER HEIGHT: INSET:

**SPECIAL INSTRUCTIONS TO MANUFACTURER:**

JOB	CUSTOMER NO:	NO. PRINTS	FOR	DATE	REVISED
	CHASE ORDER NO:				
SOLD TO	DRAWN BY:				
	SHEET OF				

VLM

# MANUAL VERTICAL LIFT DOOR WITH COUNTERBALANCE SYSTEM



JOB	CUSTOMER NO:	NO. PRINTS	FOR	DATE	REVISED
	CHASE ORDER NO:				
SOLD TO	DRAWN BY:				
	SHEET OF				